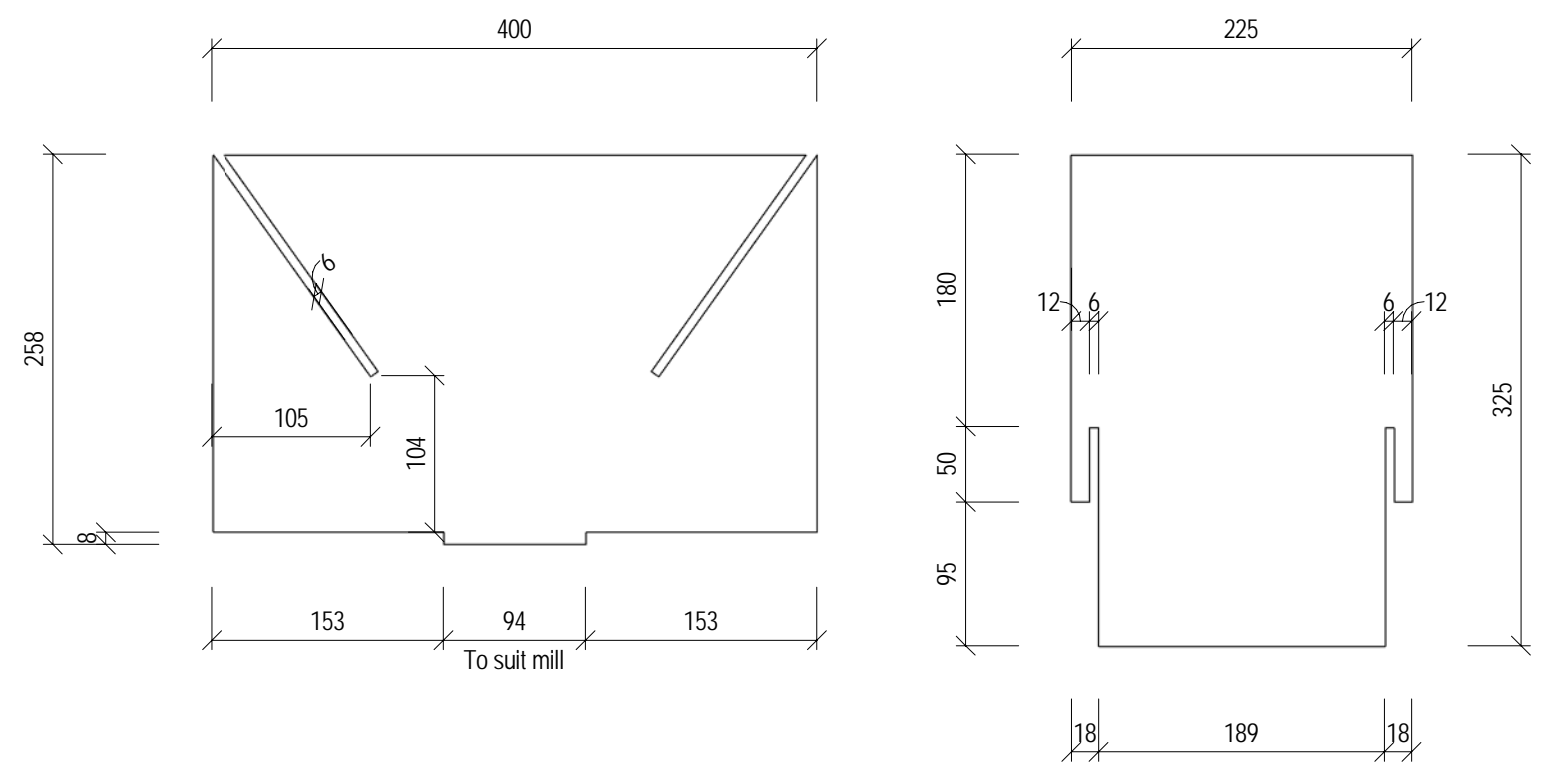


FOR CONSTRUCTION

Revision Schedule			
Date	Description	By	Rev
06.11.2007	For construction	C.S.	1



These plans are the property of Chad Smith and can be used by the brewing community with no warranty of structural integrity. These plans are not to be used for commercial purposes.

PROJECT
MILL HOPPER

DRAWING TITLE
DETAILING

SCALE (A1) 1:5	DRAWN C.S.	DATE 06.11.2007
-------------------	---------------	--------------------

PROJECT N° 200702	DWG N° 01	REV 1
-----------------------------	---------------------	-----------------