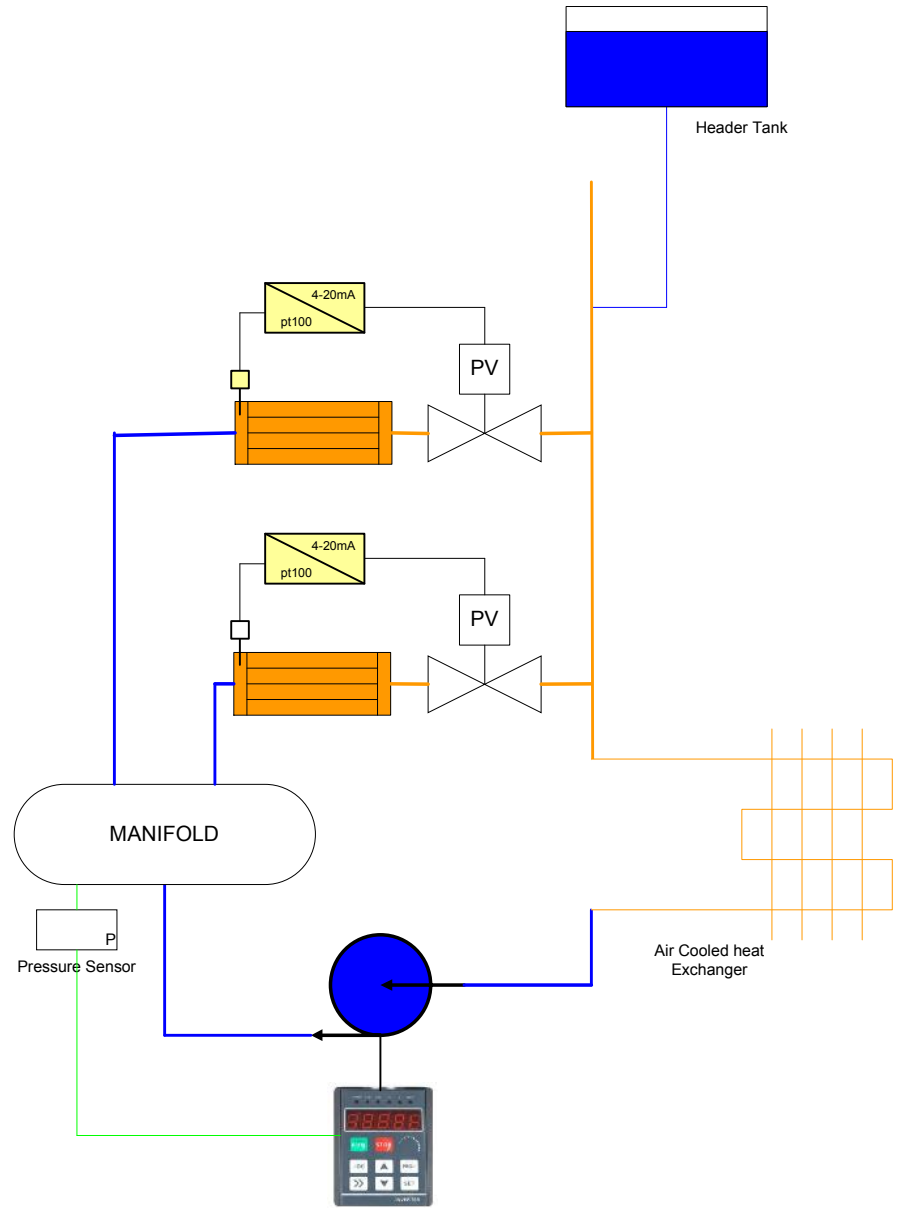


VSD
 Pressure control using differential pressure end of line sensing across the supply and return lines



VSD
 Pressure control using pump discharge pressure into manifold